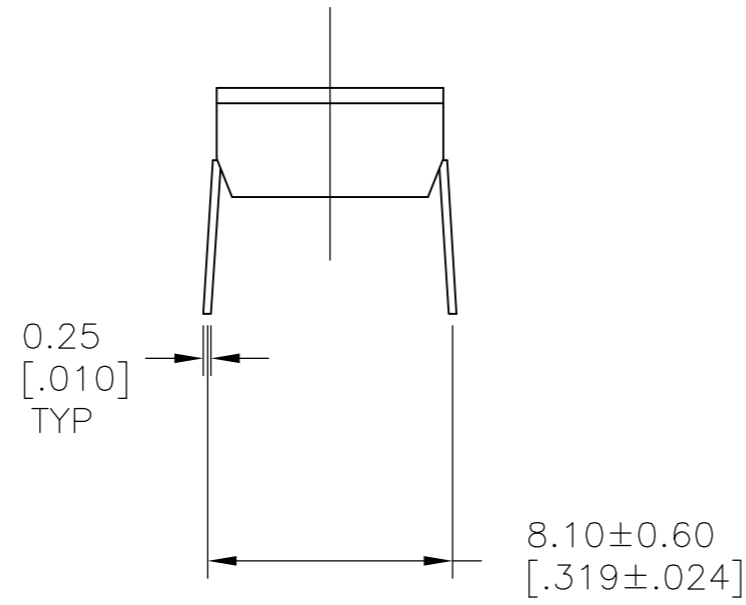
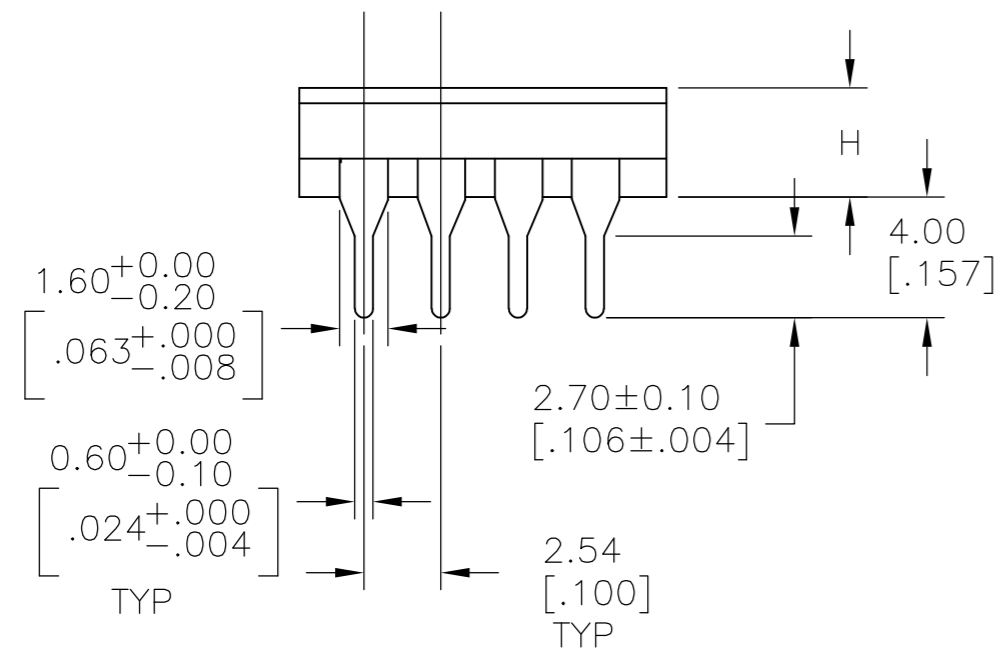
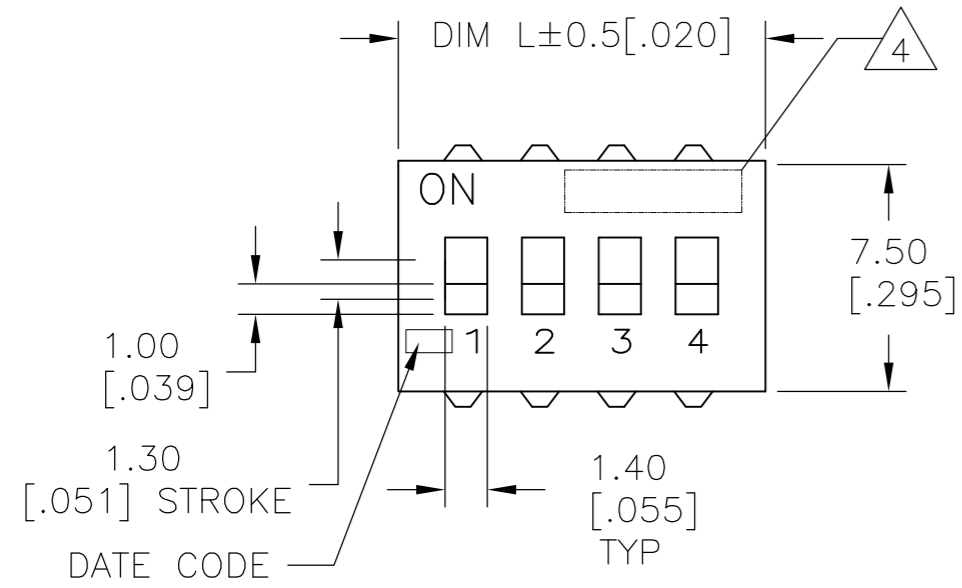
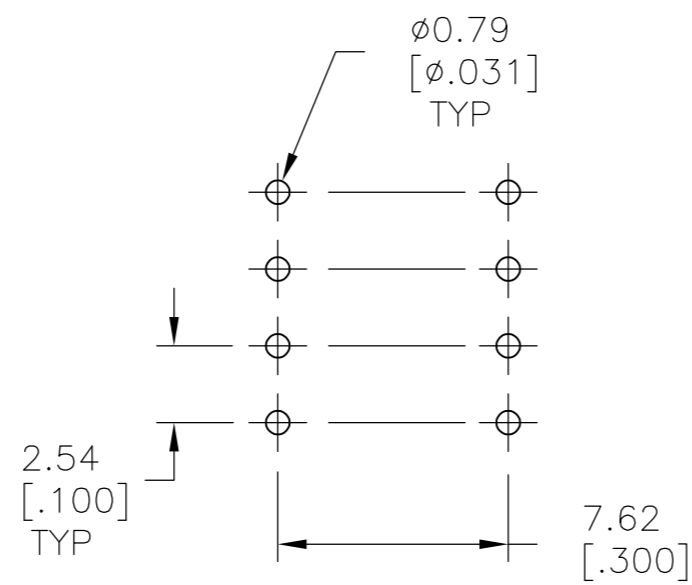


THIS DRAWING IS UNPUBLISHED. RELEASED FOR PUBLICATION
 © COPYRIGHT - By - ALL RIGHTS RESERVED.

| LOC | | DIST | | REVISIONS | | | |
|-----|-----|-------------|--|---------------------------|---------|------|----|
| P | LTR | DESCRIPTION | | DATE | DWN | APVD | |
| AD | 00 | P1 | | REVISED PER ECO-11-020691 | 14OCT11 | KH | PO |



ADF



P.C. LAYOUT
INSERT MOUNT

SPECIFICATION:

MATERIAL
 BASE, PPS, UL94V-0, BLACK
 COVER, PPS, UL94V-0, BLACK
 ACTUATOR, PA6T, UL94V-0, WHITE
 FIXED CONTACT/TERMINAL, CU ALLOY-GOLD FLASH OVER NICKEL
 MOVING CONTACT, CU ALLOY, PLATE-GOLD FLASH/NICKEL
 TAPE SEAL, POLYIMIDE FILM, AMBER, SEE P/N TABLE FOR OPTIONS.

ELECTRICAL
 MAX CONTACT RATING SWITCHING, 100MILLIAMPS @ 24 VDC
 MIN CONTACT RATING SWITCHING, .1MICROAMP @ 1 MILLIVOLT
 MAX CONTACT NON-SWITCHING, 1AMP @ 5 VDC
 INITIAL CONTACT RESISTANCE, 50 MILLIOHMS MAX.
 CONTACT RESISTANCE (AFTER ENVIRONMENTAL TEST), 100 MILLIOHMS
 CONTACT RESISTANCE (AFTER GAS TEST), 300 MILLIOHMS
 INSULATION RESISTANCE, 1,000 MEGOHMS MIN. @ 100 VDC
 DIELECTRIC STRENGTH, 500 VAC RMS @ SEA LEVEL
 LIFE EXPECTANCY, 1,000 CYCLES

MECHANICAL
 OPERATING FORCE, LESS THAN 800 GRAMS
 CONTACT PRESSURE, 280,000 PSI

ENVIRONMENTAL
 OPERATING TEMPERATURE, -30 TO +85 DEGREES C
 STORAGE TEMPERATURE, -45 TO +105 DEGREES C
 CLEANING, AQUEOUS OR SOLVENT
 SOLDER HEAT RESISTANCE, PER 109-201, COND B, SWITCH "OFF".
 SOLDERABILITY PER JIS C 0050 & JIS C 0053

- SWITCHES TO BE RECEIVED IN THE "OFF" POSITION AND PACKAGED IN CLEAR TUBES TO ACCOMMODATE AUTO-INSERTION.
 - TOP SURFACE TO BE CLEARLY MARKED AS SHOWN
 - SWITCHES TO BE BLACK WITH WHITE ACTUATORS AND MARKINGS.
 - ALL MATERIALS AND FINISHES SHALL COMPLY WITH EU DIRECTIVE 2002 /95/EC OF 27JAN2003 (ROHS)
 - TOP TAPE SEAL AVAILABLE, SEE P/N TABLE FOR OPTIONS
- ⚠️ OBSOLETE PARTS: OBSOLETE CIS STREAMLINING PER D.RENAUD/D.SINISI

SEE SHEET 2 FOR PART NUMBER TABLE

| | | | | | | | | | | | | | | | | | | | | | | |
|---|---|----------------------------------|---------------------------|-----------|-------|---|---|-------|---|---|-------|---|------|-------|---|---|--------|---|---|--------------|------|---------------|
| THIS DRAWING IS A CONTROLLED DOCUMENT. | | DWN B.S.VISWESWARA 19AUG03 | | | | | | | | | | | | | | | | | | | | |
| DIMENSIONS: mm [INCHES] | | CHK M.SARVER | | | NAME | | | | | | | | | | | | | | | | | |
| TOLERANCES UNLESS OTHERWISE SPECIFIED: | | APVD M.SARVER | DIP SWITCH, ADF THRU HOLE | | | | | | | | | | | | | | | | | | | |
| <table border="0"> <tr><td>0 PLC</td><td>±</td><td>-</td></tr> <tr><td>1 PLC</td><td>±</td><td>-</td></tr> <tr><td>2 PLC</td><td>±</td><td>-</td></tr> <tr><td>3 PLC</td><td>±</td><td>.012</td></tr> <tr><td>4 PLC</td><td>±</td><td>-</td></tr> <tr><td>ANGLES</td><td>±</td><td>-</td></tr> </table> | | 0 PLC | ± | - | 1 PLC | ± | - | 2 PLC | ± | - | 3 PLC | ± | .012 | 4 PLC | ± | - | ANGLES | ± | - | PRODUCT SPEC | SIZE | RESTRICTED TO |
| 0 PLC | ± | - | | | | | | | | | | | | | | | | | | | | |
| 1 PLC | ± | - | | | | | | | | | | | | | | | | | | | | |
| 2 PLC | ± | - | | | | | | | | | | | | | | | | | | | | |
| 3 PLC | ± | .012 | | | | | | | | | | | | | | | | | | | | |
| 4 PLC | ± | - | | | | | | | | | | | | | | | | | | | | |
| ANGLES | ± | - | | | | | | | | | | | | | | | | | | | | |
| MATERIAL | | FINISH | APPLICATION SPEC | CAGE CODE | | | | | | | | | | | | | | | | | | |
| - | | - | - | 00779 | | | | | | | | | | | | | | | | | | |
| | | WEIGHT | DRAWING NO | SCALE | | | | | | | | | | | | | | | | | | |
| | | - | C=1825002 | 1:1 | | | | | | | | | | | | | | | | | | |
| | | CUSTOMER DRAWING | SHEET | REV | | | | | | | | | | | | | | | | | | |
| | | | 1 OF 2 | P1 | | | | | | | | | | | | | | | | | | |

THIS DRAWING IS UNPUBLISHED. RELEASED FOR PUBLICATION
 © COPYRIGHT - By - ALL RIGHTS RESERVED.

| LOC | DIST | REVISIONS | | | | |
|-----|------|-------------|------|-----|------|--|
| P | LTR | DESCRIPTION | DATE | DWN | APVD | |
| - | - | SEE SHEET 1 | - | - | - | |

| | | | | | | |
|------------|----------|------------|--------------|------|-----|-------------|
| △ OBSOLETE | ADF12T04 | 3.61[.142] | 32.51[1.280] | YES | 12 | 2-1825002-0 |
| | ADF1204 | 3.61[.142] | 32.51[1.280] | NO | 12 | 1-1825002-9 |
| | ADF10T04 | 3.51[.138] | 27.40[1.078] | YES | 10 | 1-1825002-8 |
| | ADF1004 | 3.51[.138] | 27.40[1.078] | NO | 10 | 1-1825002-7 |
| △ OBSOLETE | ADF09T04 | 3.51[.138] | 24.84[.978] | YES | 9 | 1-1825002-6 |
| | ADF0904 | 3.51[.138] | 24.84[.978] | NO | 9 | 1-1825002-5 |
| | ADF08T04 | 3.51[.138] | 22.30[.878] | YES | 8 | 1-1825002-4 |
| | ADF0804 | 3.51[.138] | 22.30[.878] | NO | 8 | 1-1825002-3 |
| △ OBSOLETE | ADF07T04 | 3.51[.138] | 19.80[.778] | YES | 7 | 1-1825002-2 |
| | ADF0704 | 3.51[.138] | 19.80[.778] | NO | 7 | 1-1825002-1 |
| | ADF06T04 | 3.51[.138] | 17.22[.678] | YES | 6 | 1-1825002-0 |
| | ADF0604 | 3.51[.138] | 17.22[.678] | NO | 6 | 1825002-9 |
| | ADF05T04 | 3.51[.138] | 14.70[.578] | YES | 5 | 1825002-8 |
| | ADF0504 | 3.51[.138] | 14.70[.578] | NO | 5 | 1825002-7 |
| | ADF04T04 | 3.51[.138] | 12.14[.478] | YES | 4 | 1825002-6 |
| | ADF0404 | 3.51[.138] | 12.14[.478] | NO | 4 | 1825002-5 |
| △ OBSOLETE | ADF03T04 | 3.51[.138] | 9.60[.378] | YES | 3 | 1825002-4 |
| | ADF0304 | 3.51[.138] | 9.60[.378] | NO | 3 | 1825002-3 |
| | ADF02T04 | 3.51[.138] | 7.06[.278] | YES | 2 | 1825002-2 |
| | ADF0204 | 3.51[.138] | 7.06[.278] | NO | 2 | 1825002-1 |
| | T&B P/N | DIM H | DIM L | SEAL | POS | PART NO. |

1825002

| | | | | | |
|--|-------------|----------------------------------|-----------------------------------|--------------------|-------------------------|
| THIS DRAWING IS A CONTROLLED DOCUMENT. | | DWN B.S.VISWESWARA 19AUG03 | TE TE Connectivity | | |
| DIMENSIONS: mm [INCHES] | | CHK M.SARVER | | | |
| TOLERANCES UNLESS OTHERWISE SPECIFIED: | | APVD M.SARVER | NAME DIP SWITCH, ADF THRU HOLE | | |
| 0 PLC ± - 1 PLC ± - 2 PLC ± - 3 PLC ± .012 4 PLC ± - ANGLES ± - | | PRODUCT SPEC APPLICATION SPEC | SIZE A2 | CAGE CODE 00779 | DRAWING NO C=1825002 |
| MATERIAL - | FINISH - | WEIGHT - | RESTRICTED TO - | | SCALE 1:1 |
| CUSTOMER DRAWING | | | SHEET 2 of 2 | REV P1 | |